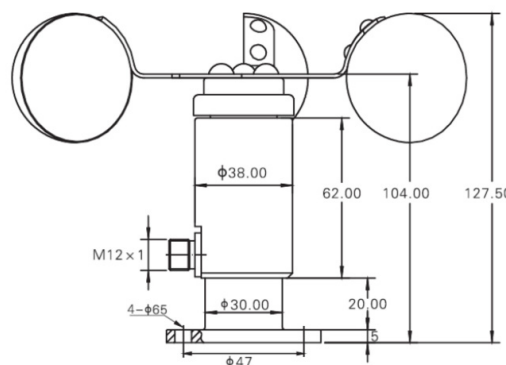


PS-WS-200 Wind Speed Sensor



This small and robust wind speed sensor is easy to install and provides excellent resistance to **impact, overload, shock and erosion.**

The wind cups are made from **stainless steel** and have an **alloy metal** finish. They are ideal for general testing and control applications, engineering machine testing, weather stations and environmental protection use, as well as for use in ports & wharfs.



Parameter	Details
Range	0.5 to 50 metres per second
Starting wind speed	≤ 0.5 metres per second
Output	4-20mA
Power supply	12 to 36 Vdc
Accuracy	± 0.5 m/s ≤ 5 m/s. ± 3% FS (≥5m/s)
Working environment	Temperature -20 deg C to +85 deg C. Humidity ≤ 95% RH
Limit wind speed	Max 70 m/s 30 minutes
Electrical connection	M12
Environmental protection	IP65